



SERIES EVO™ - ALUMINUM COMPOSITE (ACM)

PDX SERIES EVO™ THE EXTERIOR CLADDING SYSTEM CONSISTS OF THE FOLLOWING COMPONENTS: 4 MM ALUMINUM COMPOSITE PANEL, 6061-T6 PERIMETER EXTRUSION, STARTER, INTEGRATED STIFFENER MID CLIP AND HALF CLIP ATTACHMENT PROFILES.

MATERIALS

PDX SERIES EVO™ [PRESSURE EQUALIZED RAINSCREEN] [WET-SEAL] [DRY-SEAL] WALL CLADDING.
THICKNESS: 4 MM (0.157")
CORE: (PE) LOW-DENSITY POLYETHYLENE
(FR) FIRE-RETARDANT
(A2) INCOMBUSTIBLE ALL FIRE SAFETY REQUIREMENTS FOR EXTERNAL CLADDING PANEL
DEPTH: (1.75") FROM FACE OF PANEL TO SUB-GIRTS
ALUMINUM COMPOSITE MATERIAL MANUFACTURERS UPON REQUEST
ALUMINUM COMPOSITE FINISHES: PPG DURANAR (PVDF)
Z-GIRTS: [20 ga. ; 16 ga.] STEEL GALVANIZED TO ASTM A653 G90.
ALUMINUM EXTRUSIONS: MILL FINISH (6061-T6).

SIZES

MAXIMUM PANEL SIZE 57" X 120"
OPTIMUM PANEL LENGTH 151", 114"

WEIGHT

PANEL WEIGHT 4 LB/FT²

PANEL RATING

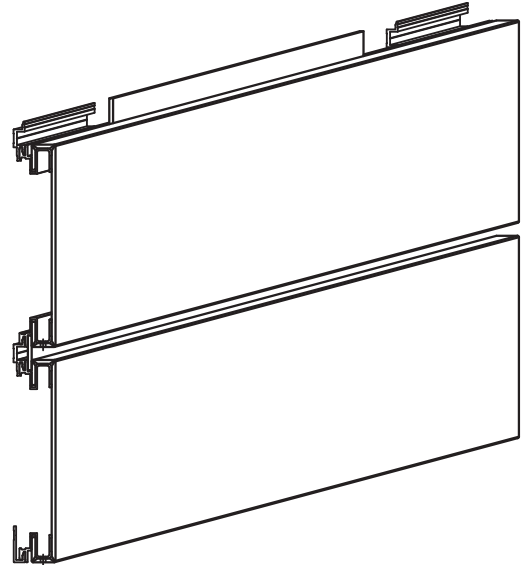
AAMA 2605 ORGANIC COATINGS ON ALUMINUM EXTRUSIONS AND PANELS
ASTM B 209 ALUMINUM ALLOY SHEET AND PLATE.
ASTM E330 / E330M-14 STRUCTURAL PERFORMANCE
ASTM E 283-19 AIR INFILTRATION
ASTM E 331-00 WATER PENETRATION UNDER STATIC AIR PRESSURE
ASTM E1233 / 1233M-14 PRESSURE EQUALIZATION BEHAVIOUR ANALYSIS
AAMA 508-21 WATER PENETRATON RESISTANCE USING DYNAMIC PRESSURE
NFPA 285-19 FIRE PROPAGATION CHARACTERISTICS

LEED

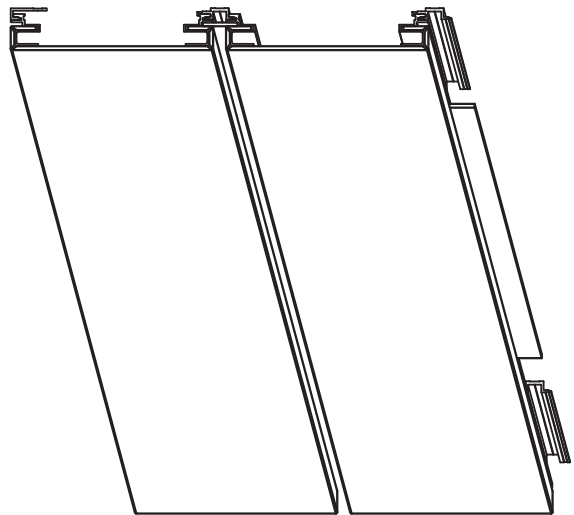
POSSIBLY CONTRIBUTE TO THE FOLLOWING LEEDS CREDITS:
MR 4.1 & 4.2 & ISO 14021 - RECYCLED CONTENT
SS7.2 - COOL COLOR PAINT SYSTEM
MR 5 - REGIONAL MANUFACTURING
6061-T6 ENVIRONMENTAL CONSIDERATIONS

FEATURES & BENEFITS

EASE OF INSTALLATION
LITTLE TO NO MAINTENANCE REQUIRED
30 YEARS PAINT WARRANTY



PDX SERIES EVO™ - ALUMINUM COMPOSITE AT HORIZONTAL JOINT



PDX SERIES EVO™ - ALUMINUM COMPOSITE AT VERTICAL JOINT



ALL supporting documents can be downloaded at pdx-panels.com or sent directly to email via **QR code**.



PDX SERIES EVO™ PANEL SYSTEM
19140 NE PORTAL WAY
PORTLAND OR 97230-5383
PHONE: (503) 914-0210
FAX: (971) 266-8296
WWW.PDX-PANELS.COM

PDX SERIES EVO™ - ALUMINUM COMPOSITE

PDX SERIES EVO™ THESE DETAILS ARE FOR BASIC
DESIGNS CONCEPTS ONLY

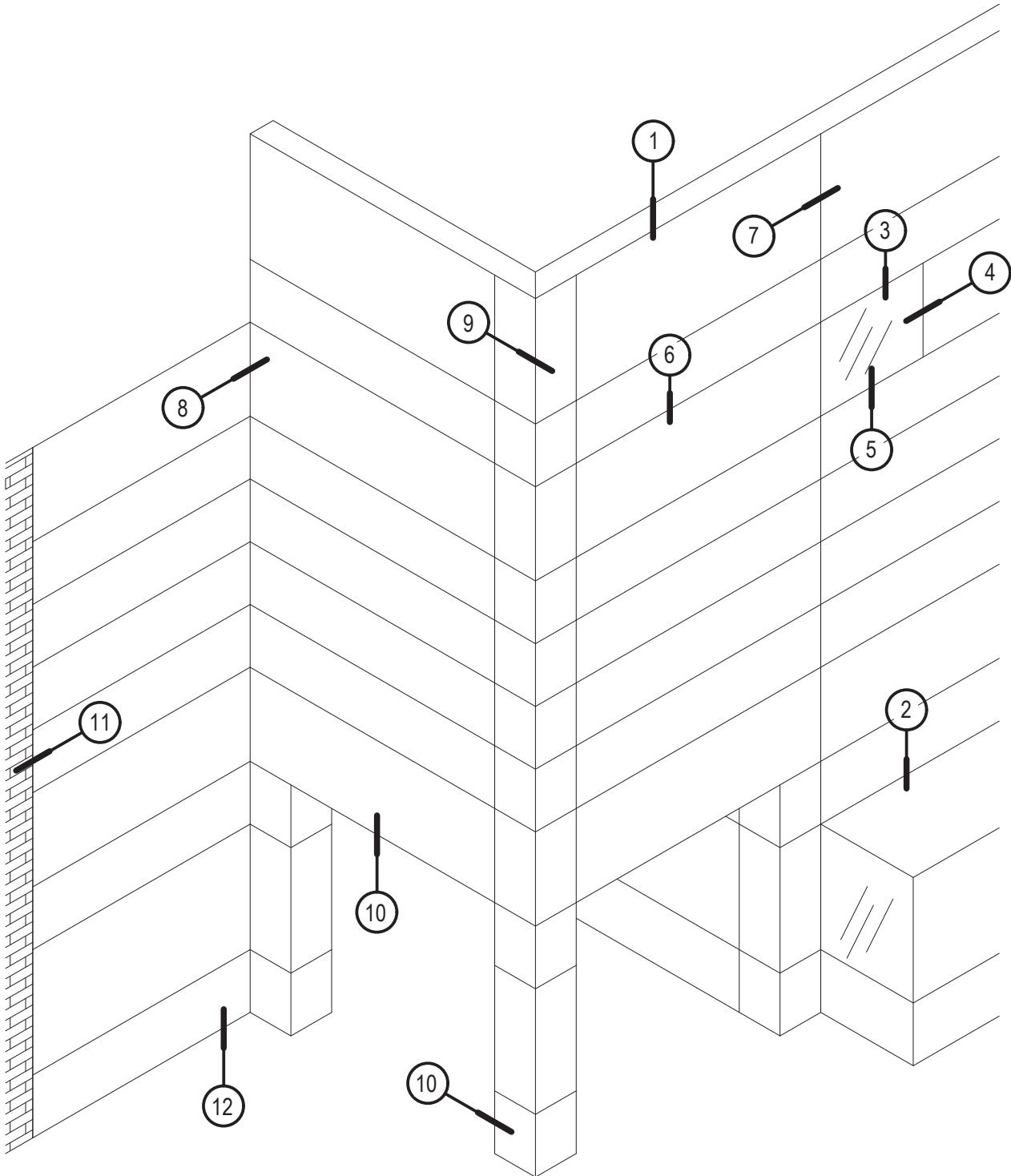
D-A	TABLE OF CONTENTS
D-B	REFERENCE ELEVATION
D-1	TYPICAL PARAPET
D-2	TYPICAL BASE UPPER
D-3	TYPICAL WINDOW HEAD
D-4	TYPICAL WINDOW JAMBS
D-5	TYPICAL WINDOW SILL
D-6	TYPICAL HORIZONTAL JOINT/REVEAL
D-7	TYPICAL VERTICAL JOINT/REVEAL
D-8	TYPICAL INSIDE CORNER
D-9	TYPICAL OUTSIDE CORNER
D-10	TYPICAL SOFFIT
D-11	TYPICAL TRANSITION JOINT
D-12	TYPICAL BASE
D-13	TYPICAL RECTANGULAR COLUMN COVER

CAD/.DWG standard details available upon request.

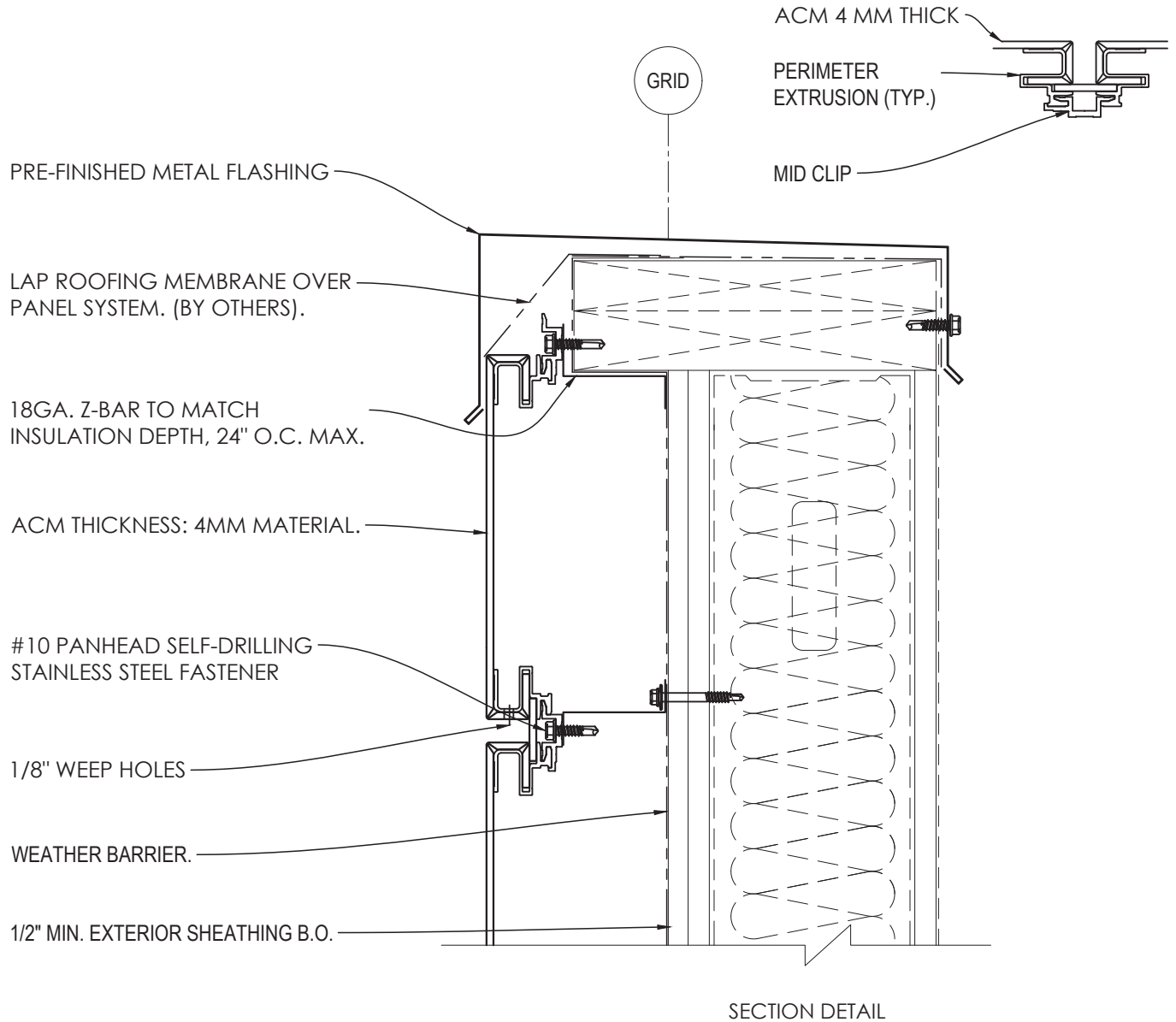


PDX SERIES EVO™ WALL SOLUTION

PDX SERIES EVO™ WALL SOLUTION

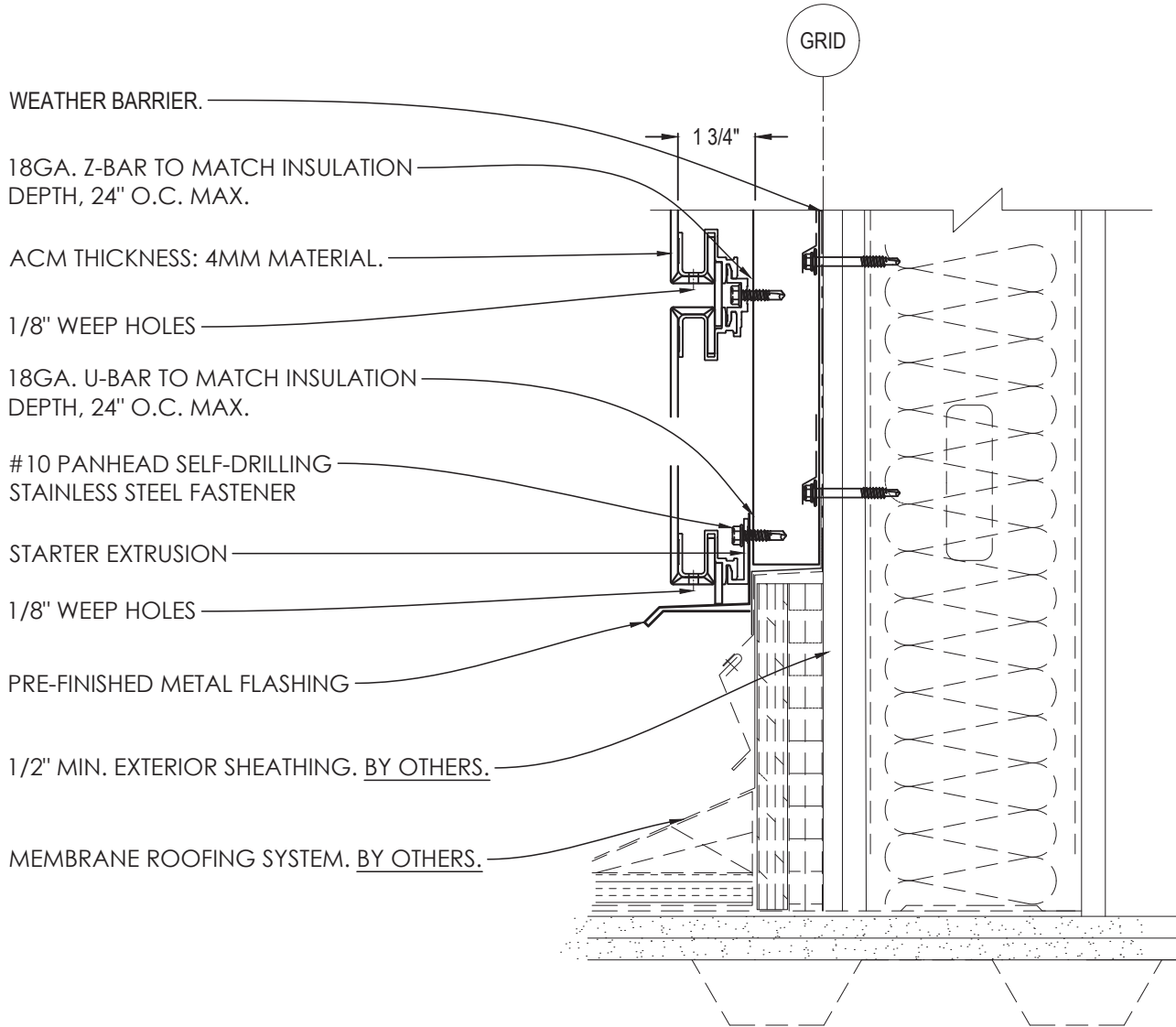


D PDX SERIES EVO™ WALL SOLUTION
B PDX SERIES EVO™ WALL SOLUTION



NOTES:

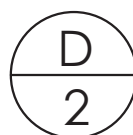
1. INSTALLATION TO BE COMPLETED IN ACCORDANCE WITH MANUFACTURER'S SPECIFICATIONS.
2. DO NOT SCALE DRAWING.
3. THIS DRAWING IS INTENDED FOR USE BY ARCHITECTS, ENGINEERS, CONTRACTORS, CONSULTANTS AND DESIGN PROFESSIONALS FOR PLANNING PURPOSES ONLY. THIS DRAWING MAY NOT BE USED FOR CONSTRUCTION.
4. ALL INFORMATION CONTAINED HEREIN WAS CURRENT AT THE TIME OF DEVELOPMENT BUT MUST BE REVIEWED AND APPROVED BY THE PRODUCT MANUFACTURER TO BE CONSIDERED ACCURATE.
5. CONTRACTOR'S NOTE: FOR PRODUCT AND COMPANY INFORMATION VISIT WWW.PDX-PANELS.COM



SECTION DETAIL

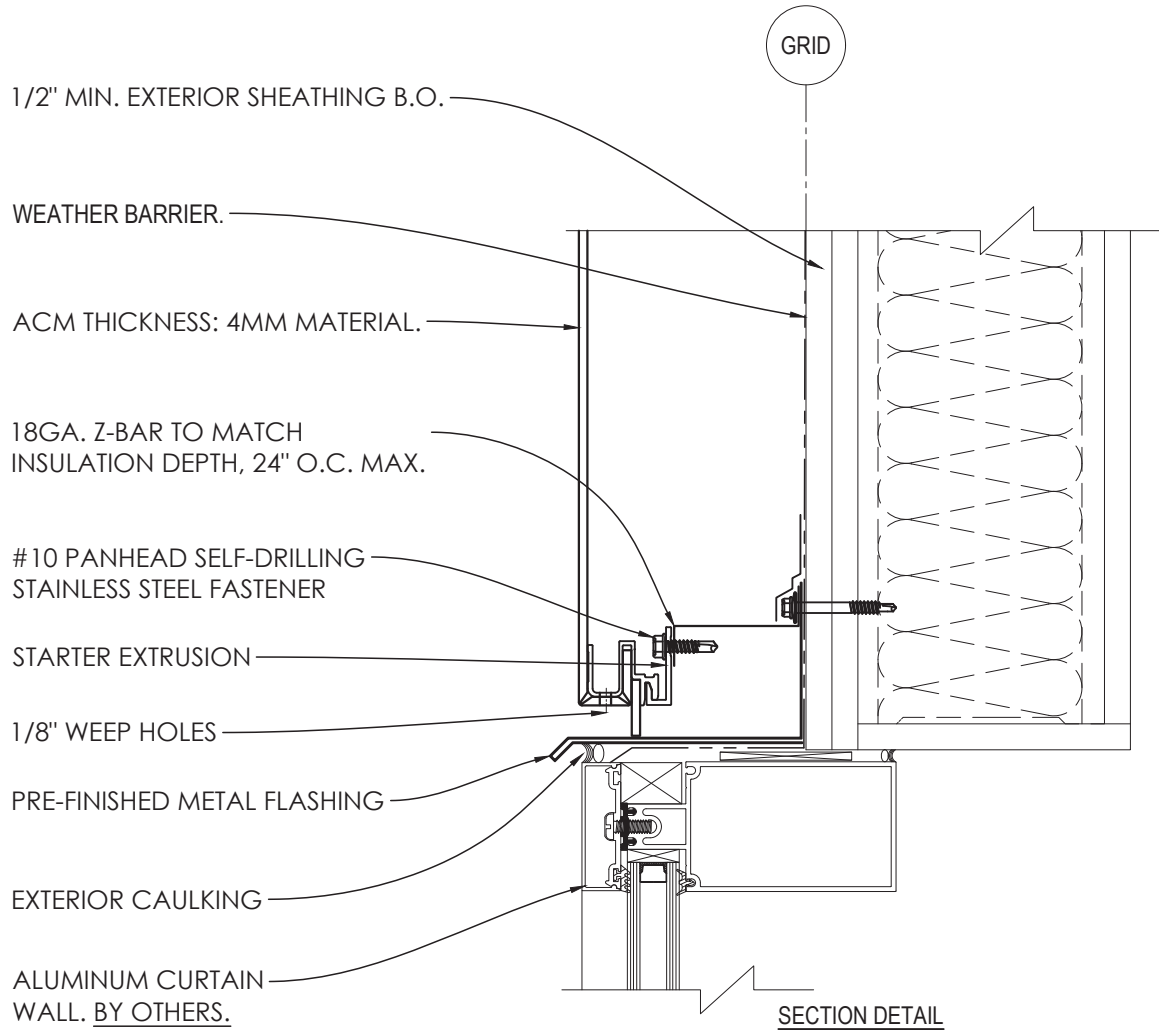
NOTES:

1. INSTALLATION TO BE COMPLETED IN ACCORDANCE WITH MANUFACTURER'S SPECIFICATIONS.
2. DO NOT SCALE DRAWING.
3. THIS DRAWING IS INTENDED FOR USE BY ARCHITECTS, ENGINEERS, CONTRACTORS, CONSULTANTS AND DESIGN PROFESSIONALS FOR PLANNING PURPOSES ONLY. THIS DRAWING MAY NOT BE USED FOR CONSTRUCTION.
4. ALL INFORMATION CONTAINED HEREIN WAS CURRENT AT THE TIME OF DEVELOPMENT BUT MUST BE REVIEWED AND APPROVED BY THE PRODUCT MANUFACTURER TO BE CONSIDERED ACCURATE.
5. CONTRACTOR'S NOTE: FOR PRODUCT AND COMPANY INFORMATION VISIT WWW.PDX-PANELS.COM



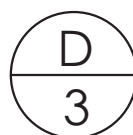
TYPICAL BASE UPPER

PDX SERIES EVO™ WALL SOLUTION



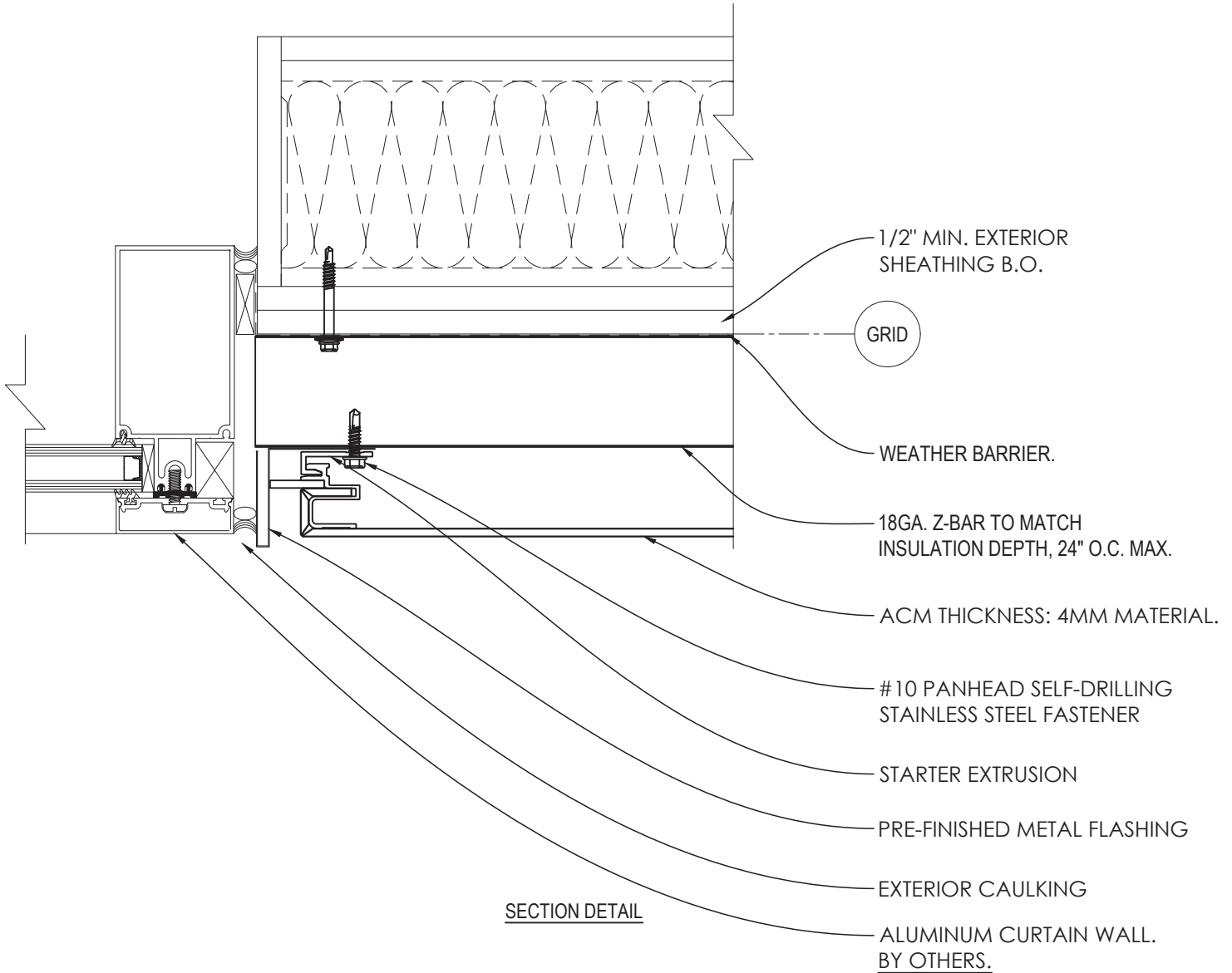
NOTES:

1. INSTALLATION TO BE COMPLETED IN ACCORDANCE WITH MANUFACTURER'S SPECIFICATIONS.
2. DO NOT SCALE DRAWING.
3. THIS DRAWING IS INTENDED FOR USE BY ARCHITECTS, ENGINEERS, CONTRACTORS, CONSULTANTS AND DESIGN PROFESSIONALS FOR PLANNING PURPOSES ONLY. THIS DRAWING MAY NOT BE USED FOR CONSTRUCTION.
4. ALL INFORMATION CONTAINED HEREIN WAS CURRENT AT THE TIME OF DEVELOPMENT BUT MUST BE REVIEWED AND APPROVED BY THE PRODUCT MANUFACTURER TO BE CONSIDERED ACCURATE.
5. CONTRACTOR'S NOTE: FOR PRODUCT AND COMPANY INFORMATION VISIT WWW.PDX-PANELS.COM



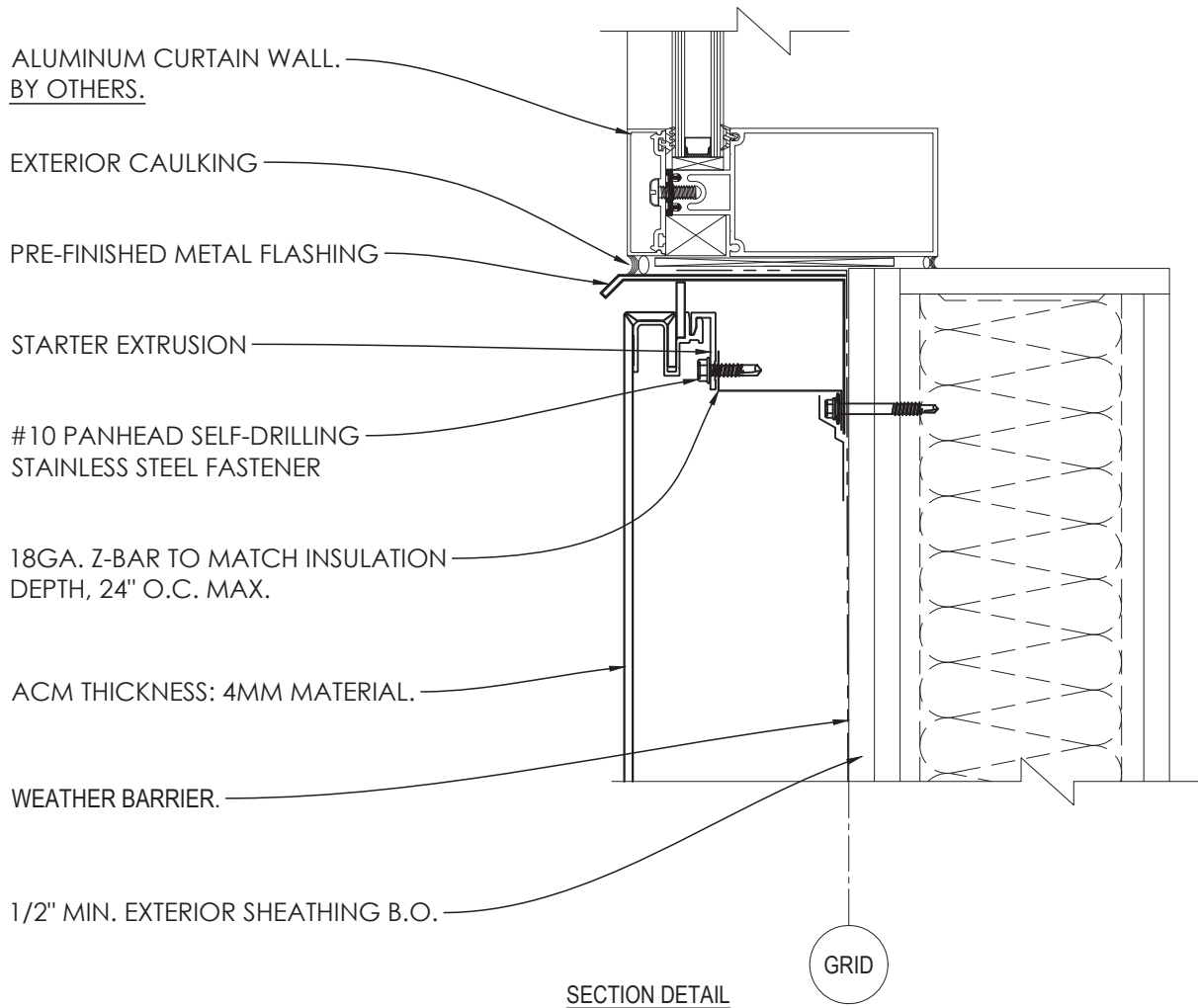
TYPICAL WINDOW HEAD

PDX SERIES EVO™ WALL SOLUTION



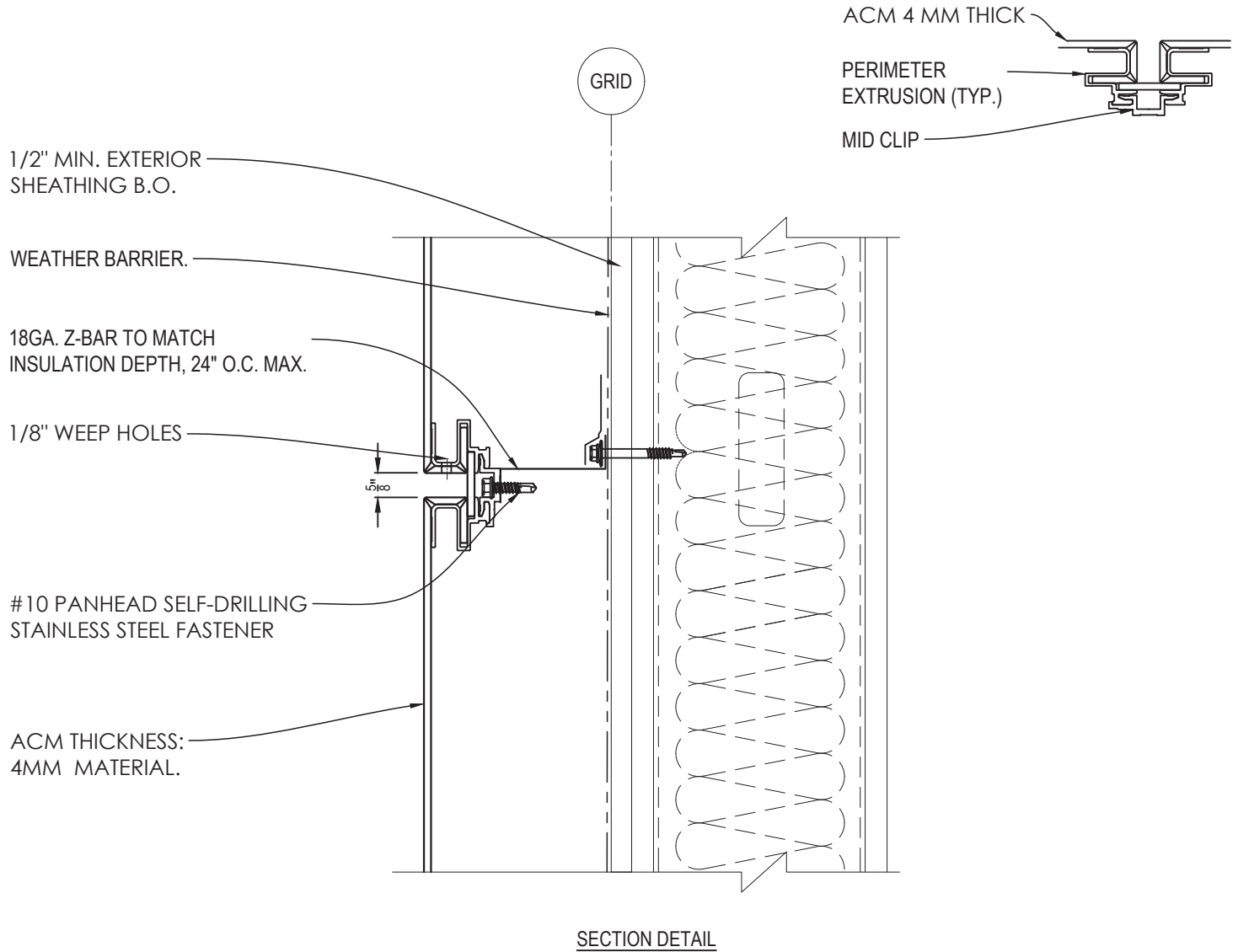
NOTES:

1. INSTALLATION TO BE COMPLETED IN ACCORDANCE WITH MANUFACTURER'S SPECIFICATIONS.
2. DO NOT SCALE DRAWING.
3. THIS DRAWING IS INTENDED FOR USE BY ARCHITECTS, ENGINEERS, CONTRACTORS, CONSULTANTS AND DESIGN PROFESSIONALS FOR PLANNING PURPOSES ONLY. THIS DRAWING MAY NOT BE USED FOR CONSTRUCTION.
4. ALL INFORMATION CONTAINED HEREIN WAS CURRENT AT THE TIME OF DEVELOPMENT BUT MUST BE REVIEWED AND APPROVED BY THE PRODUCT MANUFACTURER TO BE CONSIDERED ACCURATE.
5. CONTRACTOR'S NOTE: FOR PRODUCT AND COMPANY INFORMATION VISIT WWW.PDX-PANELS.COM



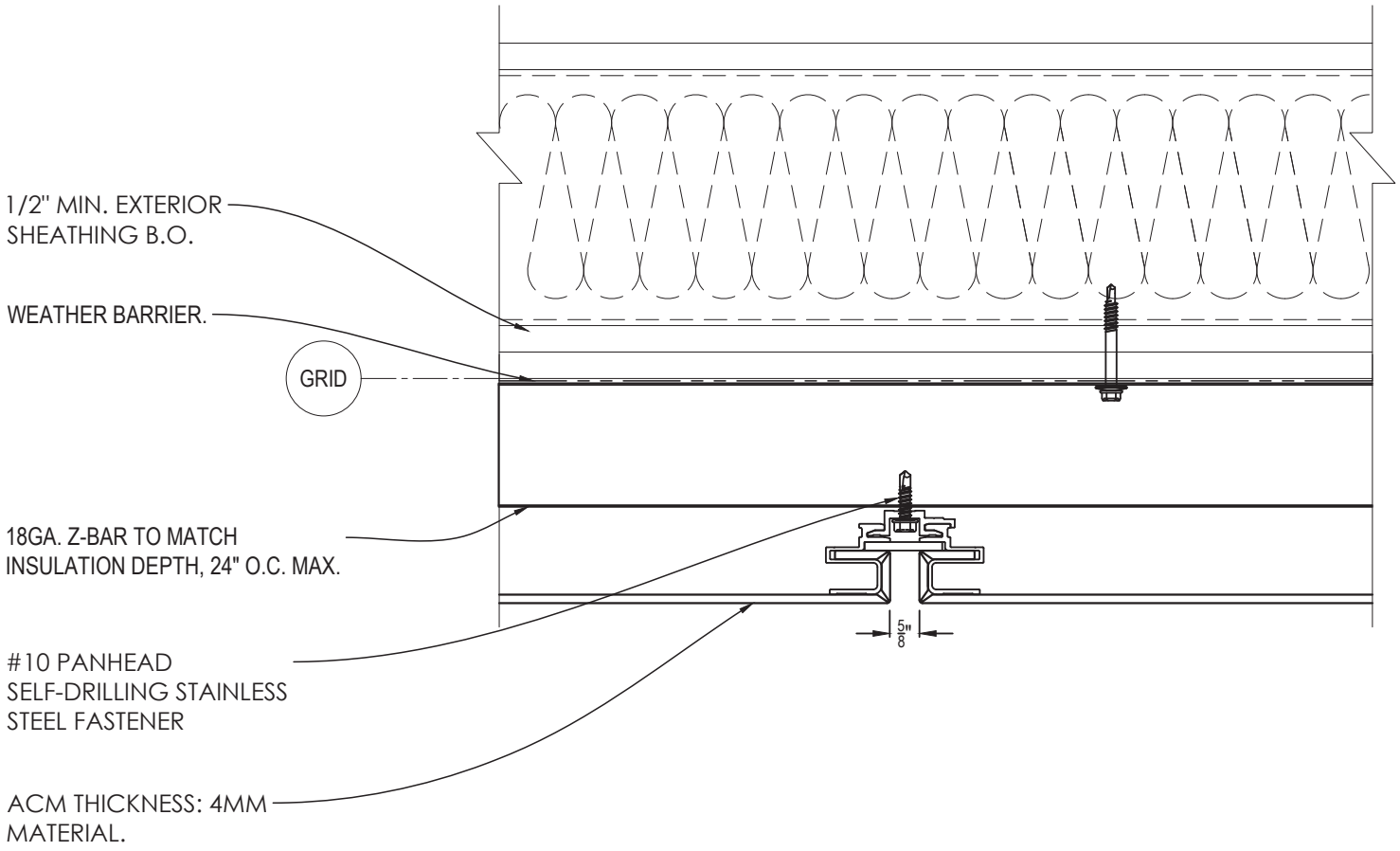
NOTES:

1. INSTALLATION TO BE COMPLETED IN ACCORDANCE WITH MANUFACTURER'S SPECIFICATIONS.
2. DO NOT SCALE DRAWING.
3. THIS DRAWING IS INTENDED FOR USE BY ARCHITECTS, ENGINEERS, CONTRACTORS, CONSULTANTS AND DESIGN PROFESSIONALS FOR PLANNING PURPOSES ONLY. THIS DRAWING MAY NOT BE USED FOR CONSTRUCTION.
4. ALL INFORMATION CONTAINED HEREIN WAS CURRENT AT THE TIME OF DEVELOPMENT BUT MUST BE REVIEWED AND APPROVED BY THE PRODUCT MANUFACTURER TO BE CONSIDERED ACCURATE.
5. CONTRACTOR'S NOTE: FOR PRODUCT AND COMPANY INFORMATION VISIT WWW.PDX-PANELS.COM



NOTES:

1. INSTALLATION TO BE COMPLETED IN ACCORDANCE WITH MANUFACTURER'S SPECIFICATIONS.
2. DO NOT SCALE DRAWING.
3. THIS DRAWING IS INTENDED FOR USE BY ARCHITECTS, ENGINEERS, CONTRACTORS, CONSULTANTS AND DESIGN PROFESSIONALS FOR PLANNING PURPOSES ONLY. THIS DRAWING MAY NOT BE USED FOR CONSTRUCTION.
4. ALL INFORMATION CONTAINED HEREIN WAS CURRENT AT THE TIME OF DEVELOPMENT BUT MUST BE REVIEWED AND APPROVED BY THE PRODUCT MANUFACTURER TO BE CONSIDERED ACCURATE.
5. CONTRACTOR'S NOTE: FOR PRODUCT AND COMPANY INFORMATION VISIT WWW.PDX-PANELS.COM



SECTION DETAIL

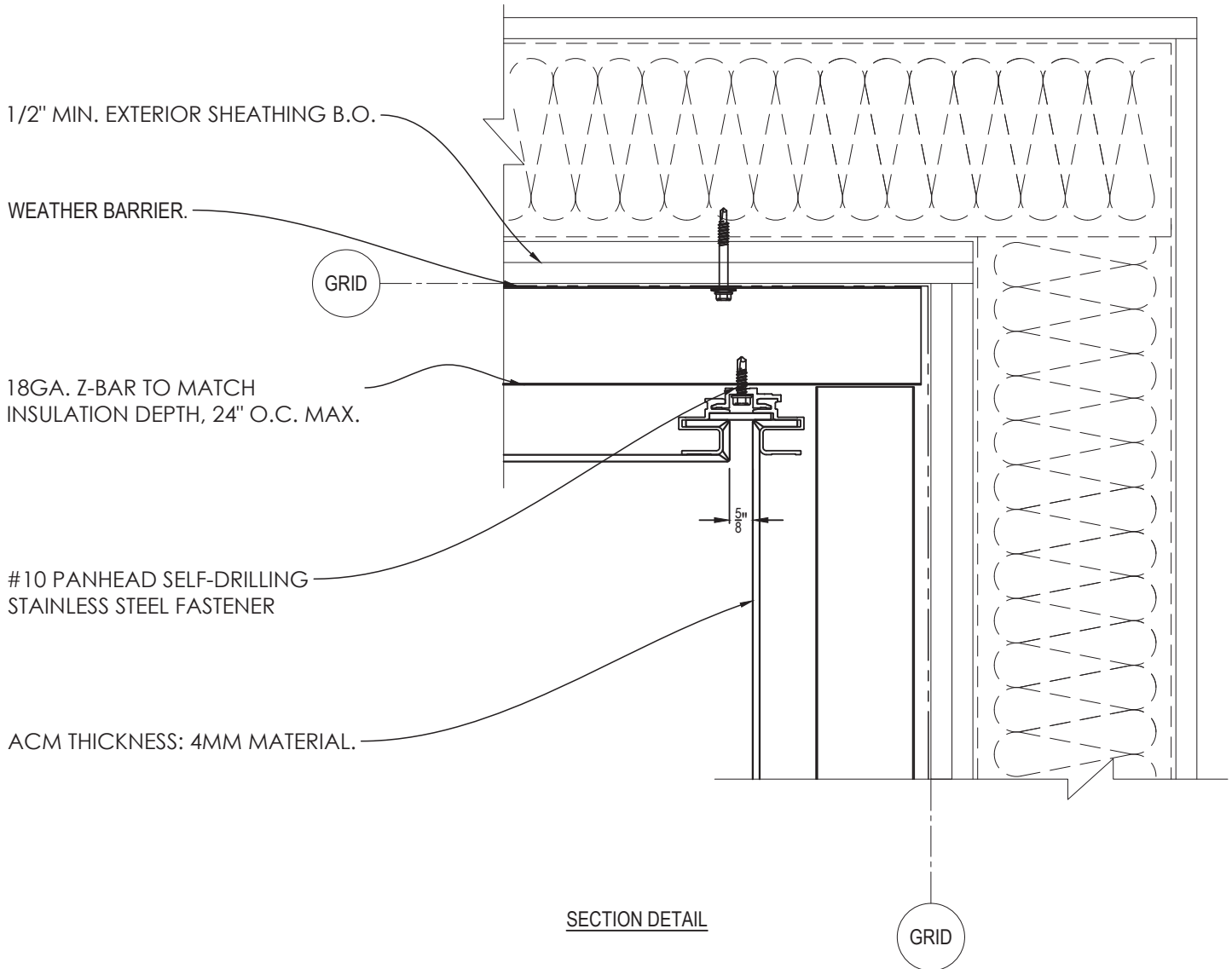
NOTES:

1. INSTALLATION TO BE COMPLETED IN ACCORDANCE WITH MANUFACTURER'S SPECIFICATIONS.
2. DO NOT SCALE DRAWING.
3. THIS DRAWING IS INTENDED FOR USE BY ARCHITECTS, ENGINEERS, CONTRACTORS, CONSULTANTS AND DESIGN PROFESSIONALS FOR PLANNING PURPOSES ONLY. THIS DRAWING MAY NOT BE USED FOR CONSTRUCTION.
4. ALL INFORMATION CONTAINED HEREIN WAS CURRENT AT THE TIME OF DEVELOPMENT BUT MUST BE REVIEWED AND APPROVED BY THE PRODUCT MANUFACTURER TO BE CONSIDERED ACCURATE.
5. CONTRACTOR'S NOTE: FOR PRODUCT AND COMPANY INFORMATION VISIT WWW.PDX-PANELS.COM



TYPICAL VERTICAL JOINT/REVEAL

PDX SERIES EVO™ WALL SOLUTION



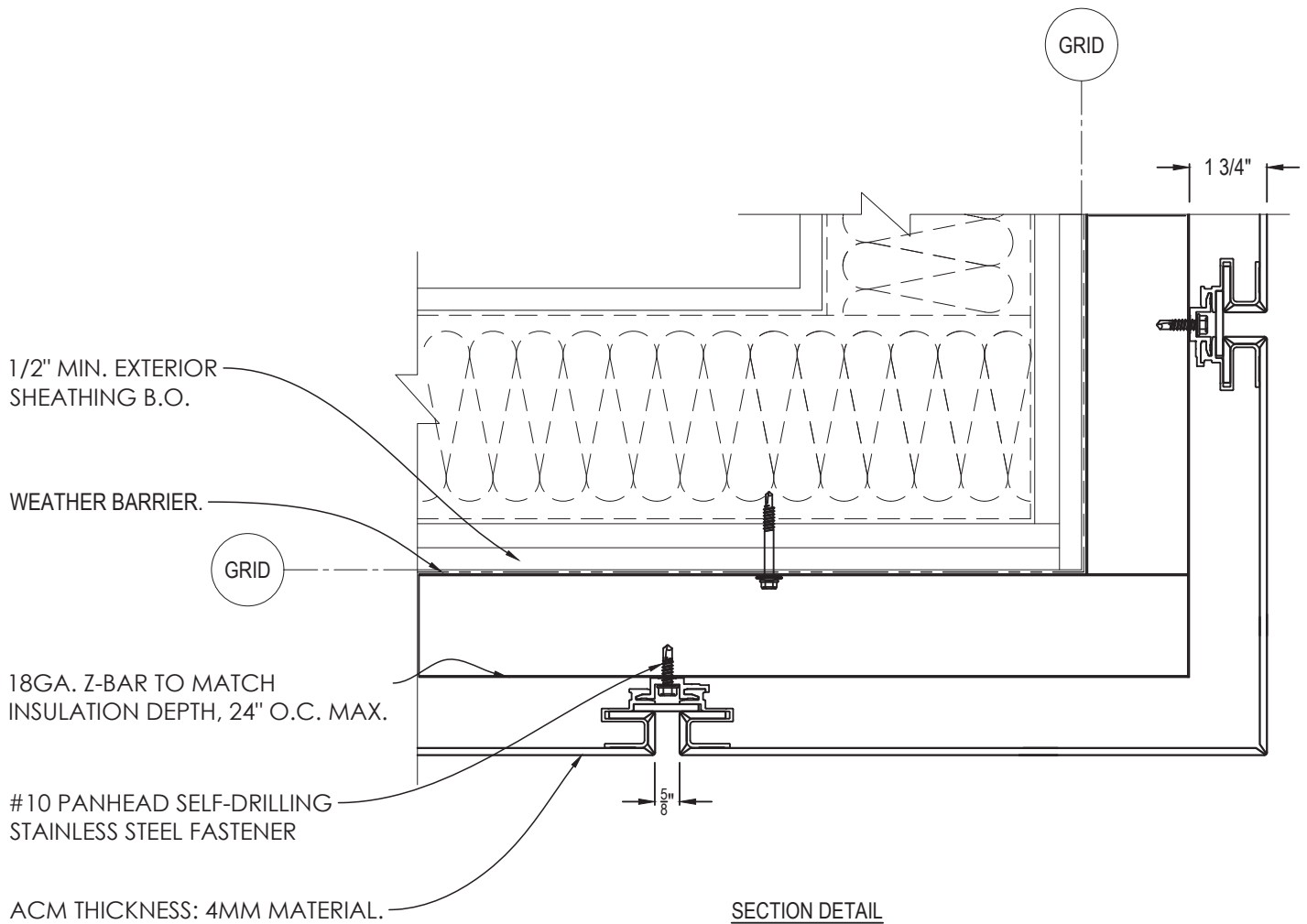
NOTES:

1. INSTALLATION TO BE COMPLETED IN ACCORDANCE WITH MANUFACTURER'S SPECIFICATIONS.
2. DO NOT SCALE DRAWING.
3. THIS DRAWING IS INTENDED FOR USE BY ARCHITECTS, ENGINEERS, CONTRACTORS, CONSULTANTS AND DESIGN PROFESSIONALS FOR PLANNING PURPOSES ONLY. THIS DRAWING MAY NOT BE USED FOR CONSTRUCTION.
4. ALL INFORMATION CONTAINED HEREIN WAS CURRENT AT THE TIME OF DEVELOPMENT BUT MUST BE REVIEWED AND APPROVED BY THE PRODUCT MANUFACTURER TO BE CONSIDERED ACCURATE.
5. CONTRACTOR'S NOTE: FOR PRODUCT AND COMPANY INFORMATION VISIT WWW.PDX-PANELS.COM

D
8

TYPICAL INSIDE CORNER

PDX SERIES EVO™ WALL SOLUTION

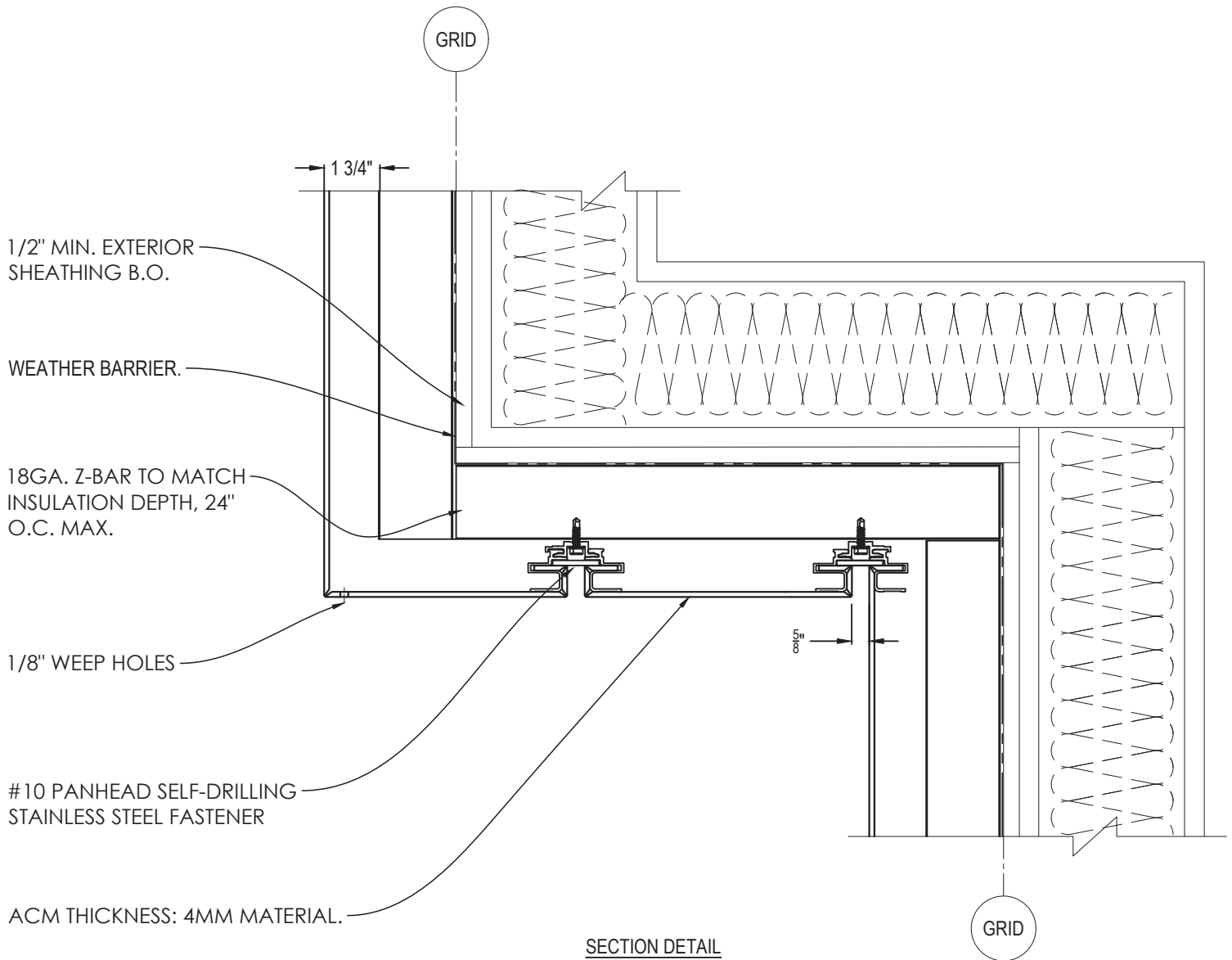


NOTES:

1. INSTALLATION TO BE COMPLETED IN ACCORDANCE WITH MANUFACTURER'S SPECIFICATIONS.
2. DO NOT SCALE DRAWING.
3. THIS DRAWING IS INTENDED FOR USE BY ARCHITECTS, ENGINEERS, CONTRACTORS, CONSULTANTS AND DESIGN PROFESSIONALS FOR PLANNING PURPOSES ONLY. THIS DRAWING MAY NOT BE USED FOR CONSTRUCTION.
4. ALL INFORMATION CONTAINED HEREIN WAS CURRENT AT THE TIME OF DEVELOPMENT BUT MUST BE REVIEWED AND APPROVED BY THE PRODUCT MANUFACTURER TO BE CONSIDERED ACCURATE.
5. CONTRACTOR'S NOTE: FOR PRODUCT AND COMPANY INFORMATION VISIT WWW.PDX-PANELS.COM

D
TYPICAL OUTSIDE CORNER

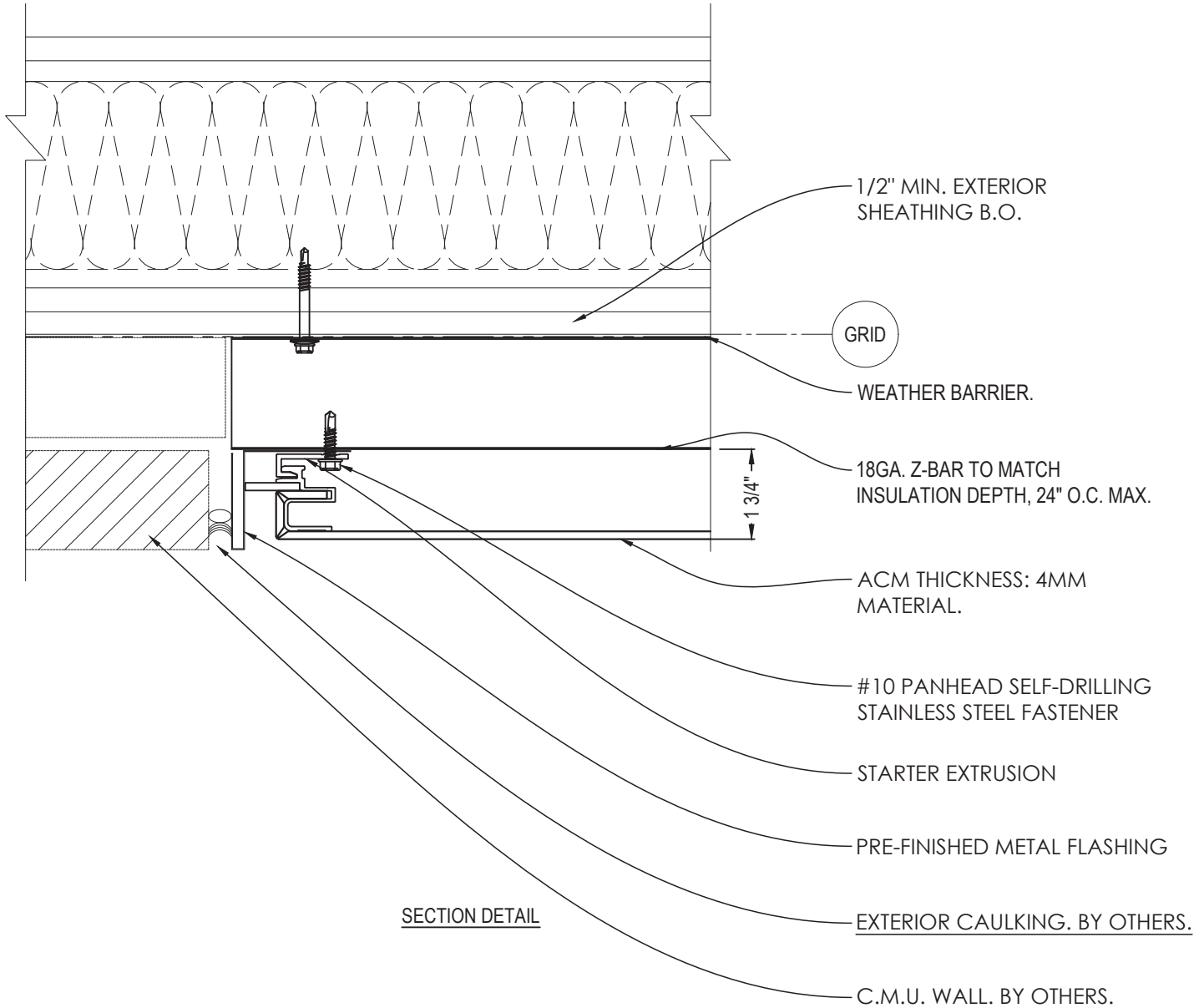
9
PDX SERIES EVO™ WALL SOLUTION



NOTES:

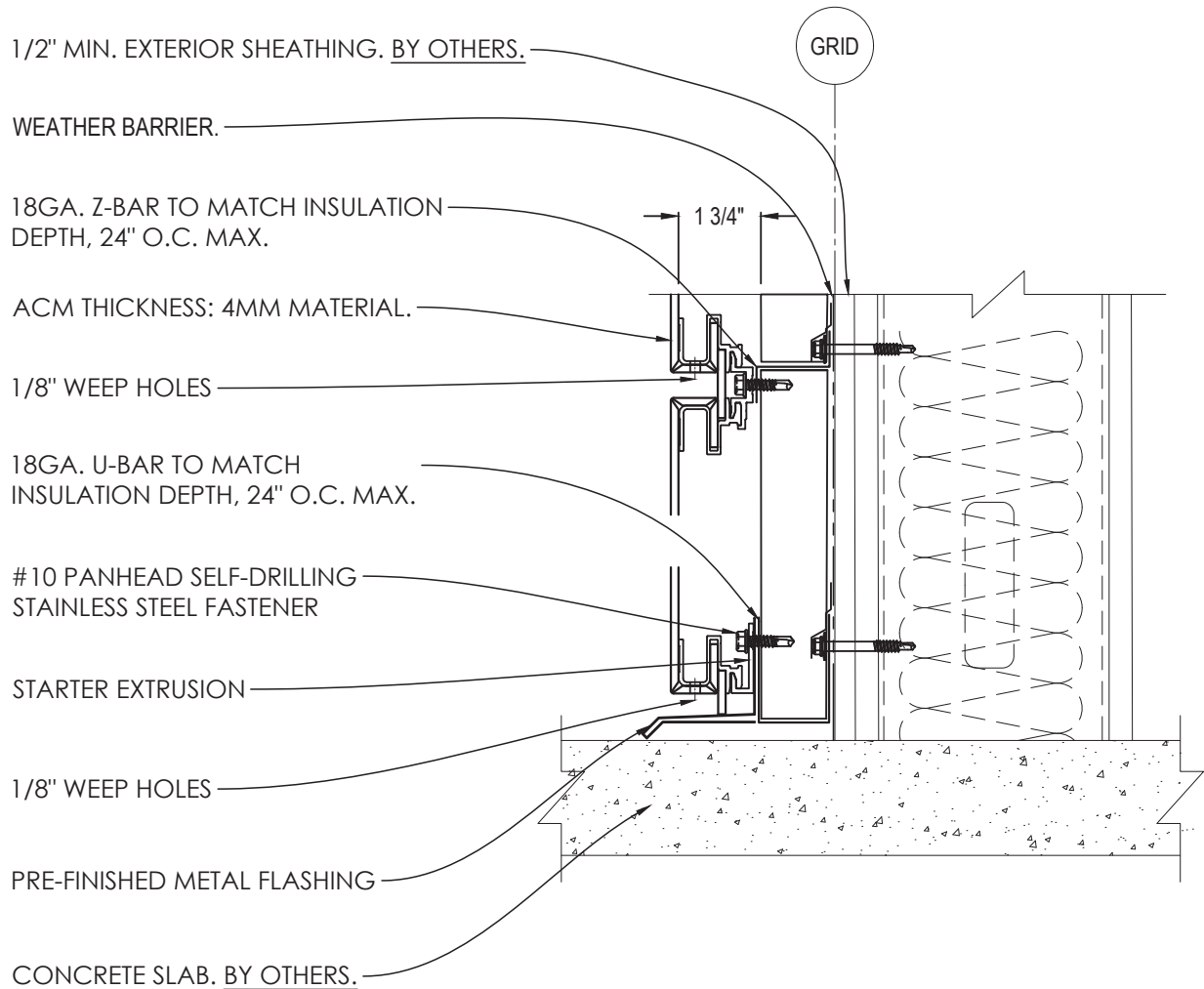
1. INSTALLATION TO BE COMPLETED IN ACCORDANCE WITH MANUFACTURER'S SPECIFICATIONS.
2. DO NOT SCALE DRAWING.
3. THIS DRAWING IS INTENDED FOR USE BY ARCHITECTS, ENGINEERS, CONTRACTORS, CONSULTANTS AND DESIGN PROFESSIONALS FOR PLANNING PURPOSES ONLY. THIS DRAWING MAY NOT BE USED FOR CONSTRUCTION.
4. ALL INFORMATION CONTAINED HEREIN WAS CURRENT AT THE TIME OF DEVELOPMENT BUT MUST BE REVIEWED AND APPROVED BY THE PRODUCT MANUFACTURER TO BE CONSIDERED ACCURATE.
5. CONTRACTOR'S NOTE: FOR PRODUCT AND COMPANY INFORMATION VISIT WWW.PDX-PANELS.COM

D TYPICAL SOFFIT
10 PDX SERIES EVO™ WALL SOLUTION



NOTES:

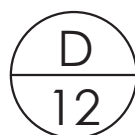
1. INSTALLATION TO BE COMPLETED IN ACCORDANCE WITH MANUFACTURER'S SPECIFICATIONS.
2. DO NOT SCALE DRAWING.
3. THIS DRAWING IS INTENDED FOR USE BY ARCHITECTS, ENGINEERS, CONTRACTORS, CONSULTANTS AND DESIGN PROFESSIONALS FOR PLANNING PURPOSES ONLY. THIS DRAWING MAY NOT BE USED FOR CONSTRUCTION.
4. ALL INFORMATION CONTAINED HEREIN WAS CURRENT AT THE TIME OF DEVELOPMENT BUT MUST BE REVIEWED AND APPROVED BY THE PRODUCT MANUFACTURER TO BE CONSIDERED ACCURATE.
5. CONTRACTOR'S NOTE: FOR PRODUCT AND COMPANY INFORMATION VISIT WWW.PDX-PANELS.COM



SECTION DETAIL

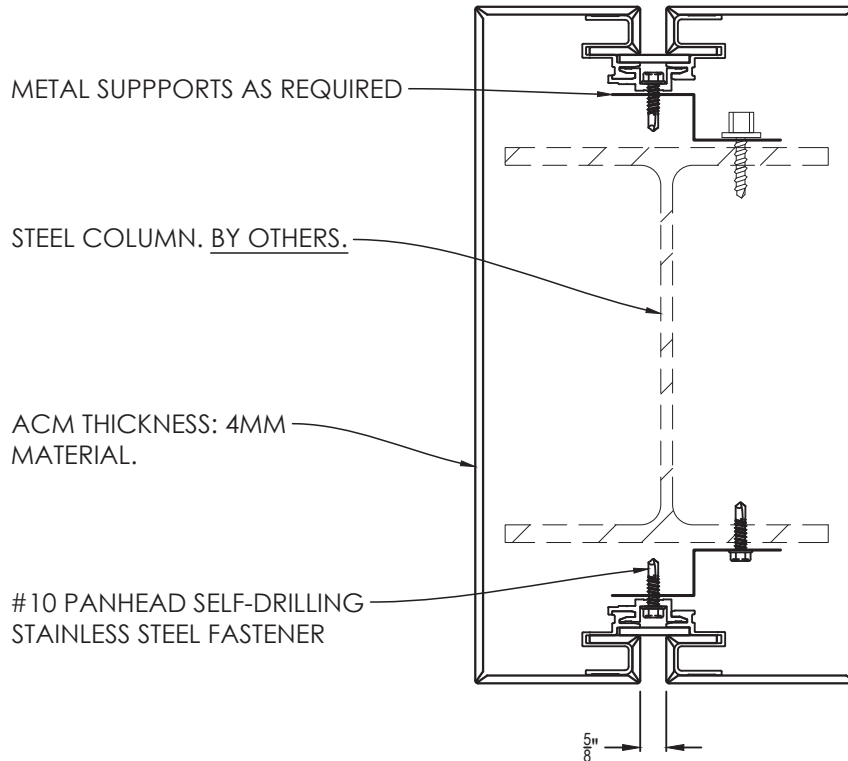
NOTES:

1. INSTALLATION TO BE COMPLETED IN ACCORDANCE WITH MANUFACTURER'S SPECIFICATIONS.
2. DO NOT SCALE DRAWING.
3. THIS DRAWING IS INTENDED FOR USE BY ARCHITECTS, ENGINEERS, CONTRACTORS, CONSULTANTS AND DESIGN PROFESSIONALS FOR PLANNING PURPOSES ONLY. THIS DRAWING MAY NOT BE USED FOR CONSTRUCTION.
4. ALL INFORMATION CONTAINED HEREIN WAS CURRENT AT THE TIME OF DEVELOPMENT BUT MUST BE REVIEWED AND APPROVED BY THE PRODUCT MANUFACTURER TO BE CONSIDERED ACCURATE.
5. CONTRACTOR'S NOTE: FOR PRODUCT AND COMPANY INFORMATION VISIT WWW.PDX-PANELS.COM



TYPICAL BASE

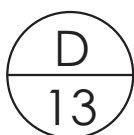
PDX SERIES EVO™ WALL SOLUTION



SECTION DETAIL

NOTES:

1. INSTALLATION TO BE COMPLETED IN ACCORDANCE WITH MANUFACTURER'S SPECIFICATIONS.
2. DO NOT SCALE DRAWING.
3. THIS DRAWING IS INTENDED FOR USE BY ARCHITECTS, ENGINEERS, CONTRACTORS, CONSULTANTS AND DESIGN PROFESSIONALS FOR PLANNING PURPOSES ONLY. THIS DRAWING MAY NOT BE USED FOR CONSTRUCTION.
4. ALL INFORMATION CONTAINED HEREIN WAS CURRENT AT THE TIME OF DEVELOPMENT BUT MUST BE REVIEWED AND APPROVED BY THE PRODUCT MANUFACTURER TO BE CONSIDERED ACCURATE.
5. CONTRACTOR'S NOTE: FOR PRODUCT AND COMPANY INFORMATION VISIT WWW.PDX-PANELS.COM



TYPICAL RECTANGULAR COLUMN COVER

PDX SERIES EVO™ WALL SOLUTION